

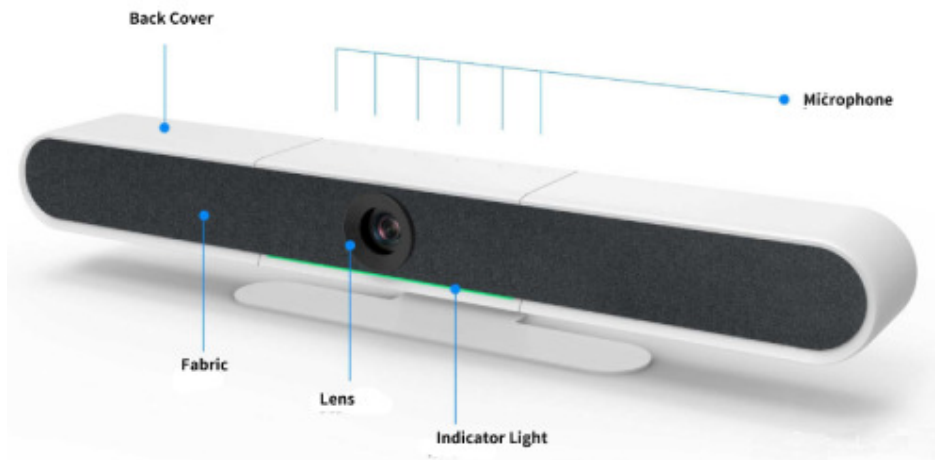


## 24 Evoness SRL

Str. Bega Nr. 6  
400601 Cluj-Napoca  
Romania  
Tel.: +40 744 539702  
E-mail: [videocapture@tehnicavizuala.ro](mailto:videocapture@tehnicavizuala.ro)  
Website: [www.tehnicavizuala.ro](http://www.tehnicavizuala.ro)

### EVO-4K-ConferenceBar+

Intelligent 4K video & audio integrated conference camera



**4K UHD, large viewing angle without distortion, voice tracking, intelligent framing, electric privacy cover, video and audio integration**

With all-in-one design, the **EVO-4K-ConferenceBar+** has a 4K UHD camera, microphone array, high fidelity speaker and electric privacy cover. With powerful functions like face recognition, voice localization, voice tracking, and intelligent noise reduction, the **EVO-4K-ConferenceBar+** can automatically adjust the image size according to the number of participants, to present the optimal frame. It can also detect the speaker's position in real time and lock the target while having a close-up, which allows users to have hands-free operation.

The **EVO-4K-ConferenceBar+** has built-in linear microphone array composed of 6 MEMS microphones, and it can also be matched with external cascadable expansion microphones. With the advanced 3A audio algorithm, the directional pickup is clearer and brings you a 6 meters full-duplex exceptional communication experience.



## 24 Evoness SRL

Str. Bega Nr. 6  
400601 Cluj-Napoca  
Romania  
Tel.: +40 744 539702  
E-mail: [videocapture@tehnicavizuala.ro](mailto:videocapture@tehnicavizuala.ro)  
Website: [www.tehnicavizuala.ro](http://www.tehnicavizuala.ro)

### Key Features

- **Integrated Design:** Built-in 4K UHD camera, microphone array, high fidelity speaker and electric privacy cover
- **Ultra HD:** [EVO-4K-ConferenceBar+](#) adopts 8 MegaPixel high quality CMOS image sensor, able to capture 4K ultra HD image to present true-to-life image, bringing excellent image resolution and clarity.
- **Distortion-less Wide Angle Lens:** 120° wide angle with no distortion lens allows every participant is on the frame with no need to adjust the camera.
- **Automatically Privacy Cover:** Privacy cover will automatically close to ensure the privacy security.
- **Microphone Array:** The speaker can be tracked in real time by the built-in 6 array microphone. [EVO-4K-ConferenceBar+](#) breaks the distance limitation to provide virtual meeting as if you were personally there, in the same room with your interlocutor.
- **Built-in Speaker:** Built-in dual 10W high quality studio speaker, ensures every participant can hear and be heard clearly.
- **Audio Processing:** The audio processing algorithm adopts high-fidelity 48K audio sampling rate, lossless audio transmission technology, supports AEC, AGC, ANS processing, bringing high-quality calls of 6 meters full duplex;
- **Auto Framing:** Built-in face detection algorithm, automatically detects participant and provides optimal framing.
- **Bluetooth 5.0:** Connect mobile phone and other devices through Bluetooth to be used as Bluetooth speaker and microphone.
- **Low Noise and High SNR:** Low noise CMOS ensures the high SNR of image. The advanced 2D, 3D noise reduction technology further reduces the noise while ensuring the image clarity.
- **Powerful Compatibility:** Compatible with Windows 7, Windows 10, Mac OS 10.10 or higher O.S., suitable for mainstream cloud video platforms, including but not limited to the following: Microsoft Teams, Skype for Business, Zoom Room and Zoom clients, Cisco WebEx etc.



## 24 Evoness SRL

Str. Bega Nr. 6  
400601 Cluj-Napoca  
Romania  
Tel.: +40 744 539702  
E-mail: [videocapture@tehnicavizuala.ro](mailto:videocapture@tehnicavizuala.ro)  
Website: [www.tehnicavizuala.ro](http://www.tehnicavizuala.ro)

### Technical Specifications

Camera	Lens	FOV	120° ( D ) / 106° ( H ) / 72° ( V )	
		Iris	F2.0	
		Focal Length	1.89mm	
		Digital Zoom	10x	
	Sensor	High quality CMOS sensor, effective pixel 8 million, 16:9		
	Image	Minimum Illumination	0.5Lux	
		DNR	2D & 3D	
		Focus	Auto/Manual	
		BLC	On/Off	
		Exposure	Parameter can be adjusted, and AE(Auto Exposure) is available	
		Video Adjustment	Brightness, sharpness, saturation, contrast, white balance, gain, anti-flicker, low brightness compensation and other parameters can be adjusted	
		SNR	≥50dB	
	Video Format	USB: 4Kp30,1080p60 compatible downward HDMI: 4Kp30,1080p60 compatible downward		
Video Compression Format	MJPEG, YUY2, H.264, H.265, NV12			
PTZ	<b>ePTZ</b>			
Privacy Cover	Automatic privacy cover will close when there is no image output and opens when there is image output.			
Audio	Microphone	Microphone	6 x MEMS Microphones	
		Pickup Distance	6 meters	
		Frequency Response	120 Hz–16 kHz	
	Speaker	Speaker	Built-in dual speaker	
		Voltage	2 x 10W	
		Output Voice Pressure	80±3 dB 1.0M/1.0W	
		Frequency Response	100 Hz-20 KHz	
	Audio Processing	Full Duplex Communication Acoustic Echo Cancellation, Automatic Gain Control, Automatic Noise Suppression Sound Source Localization = Voice Tracking		



## 24 Evoness SRL

Str. Bega Nr. 6  
400601 Cluj-Napoca  
Romania  
Tel.: +40 744 539702  
E-mail: [videocapture@tehnicavizuala.ro](mailto:videocapture@tehnicavizuala.ro)  
Website: [www.tehnicavizuala.ro](http://www.tehnicavizuala.ro)

<b>AI Function</b>	Group Framing	Automatically adjusts the screen size according to the number of participants to present the best framing
	Speaker Tracking	Tracks each speaker in real time, and ensures that the speaker is in the center of the screen.
<b>Remote Control</b>	Remote Control	Built in Direction Button for electronic <b>Pan-Tilt-Zoom</b> functions: = Left/Right, Up/Down, Zoom-In, Zoom-Out; Answer Call, Hang Up, Volume Up/Down, Mute Microphone; Auto Framing & Voice Tracking, Presets, etc.
<b>Physical Interfaces</b>	USB	USB 3.0 video & audio output interface, Type C Supports UVC1.1, UAC1.0 and higher
	HDMI	HDMI video output interface HDMI compatible with HDMI 2.0 standard
	LINE IN	3.5mm audio line input interface (when an external pickup is connected, the audio input is automatically switched to the external pickup)
	LINE OUT	3.5mm line output, can be connected to external speakers (when connecting to external speakers, the audio output will automatically switch to external speakers)
	Expansion Mic Interface	RJ45 interface, able to connect to expansion microphone
	Power Interface	Input AC110V-AC220V, Output DC12V/2.5A
<b>Indicator</b>	Bar-shaped Indicator	While displaying the working status, it can also be lit where the speaker's voice comes from.
<b>Bluetooth</b>	Bluetooth 5.0	Can be connected to a mobile phone or other device via Bluetooth as a Bluetooth microphone and speaker
<b>Compatibility</b>	Operating System	Windows 7, Windows 8, Windows 10, Mac OS X, Linux, Android
<b>Power Supply Method</b>		Through power adapter
<b>Working Condition</b>	Storage Temperature	-10°C ~ +70°C
	Storage Humidity	20% ~ 95%
	Working Temperature	-10°C ~ +50°C
	Working Humidity	20% ~ 80%
	Environment	Indoor
<b>Installation Method</b>	Wall Mount	Comes with wall mounting bracket. While mounting, the camera must be as close as possible to the wall.
	Desktop	Comes with desktop mounting bracket
	Installed on Monitor	Bracket for monitor installation (optional)



## 24 Evoness SRL

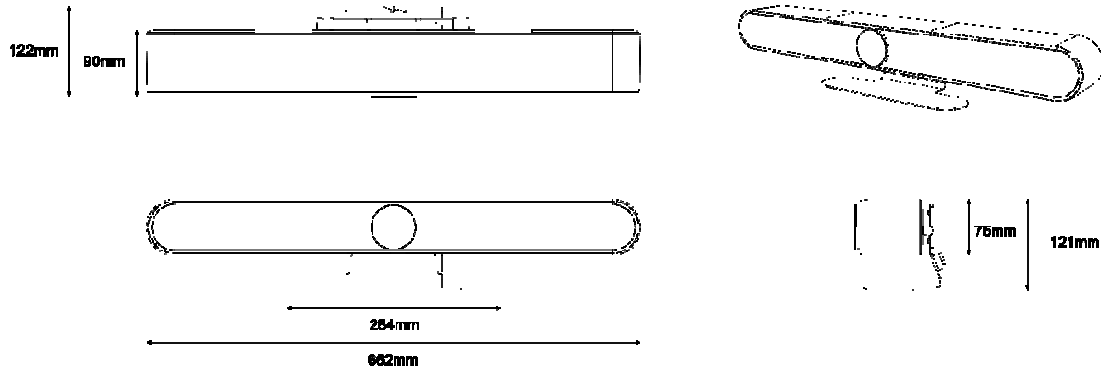
Str. Bega Nr. 6  
400601 Cluj-Napoca  
Romania

Tel.: +40 744 539702

E-mail: [videocapture@tehnicavizuala.ro](mailto:videocapture@tehnicavizuala.ro)

Website: [www.tehnicavizuala.ro](http://www.tehnicavizuala.ro)

### Dimension (mm)



### Remote Control Functions

- 1 = Bluetooth
- 2 = Auto Framing & Voice Tracking
- 3 = Menu
- 4 = Home
- 5 = Pan-Tilt Adjustment: Left/Right, Up/Down
- 6 = Answer Call
- 7 = Mute Microphone
- 8 = Hang Up
- 9 = Volume Up/Down
- 10 = Set/call out preset #1
- 11 = Set/call out preset #2
- 12 = Zoom-In / Zoom-Out



## 24 Evoness SRL

Str. Bega Nr. 6  
400601 Cluj-Napoca  
Romania  
Tel.: +40 744 539702  
E-mail: [videocapture@tehnicavizuala.ro](mailto:videocapture@tehnicavizuala.ro)  
Website: [www.tehnicavizuala.ro](http://www.tehnicavizuala.ro)

